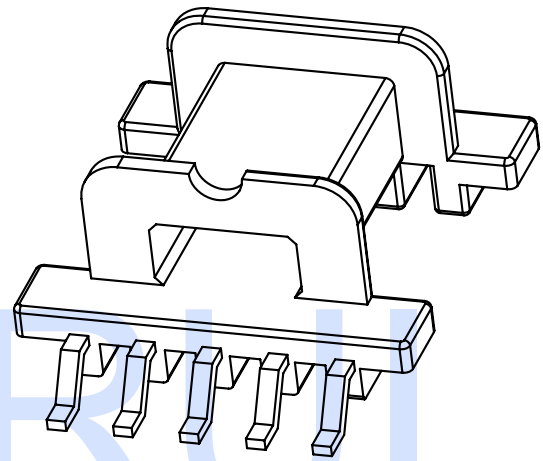
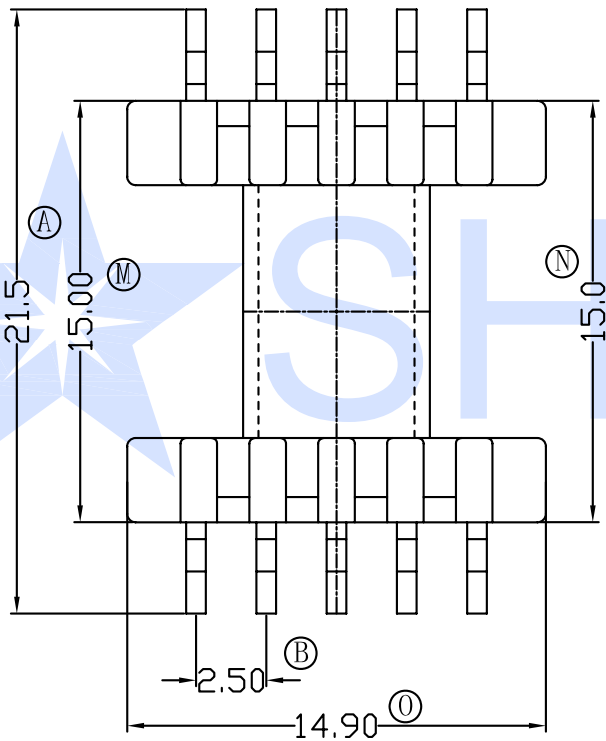
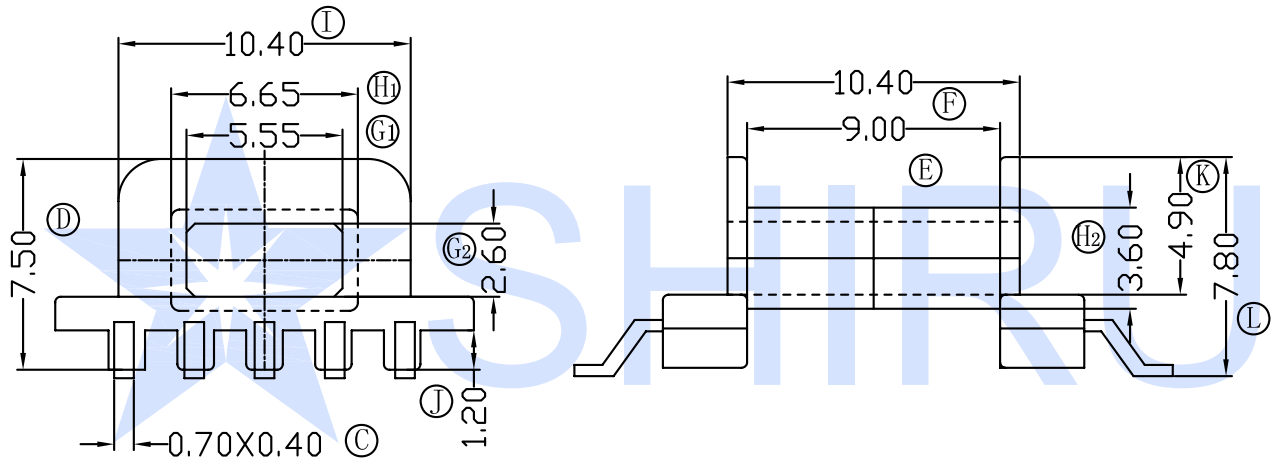
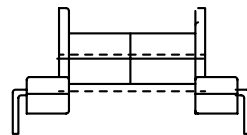


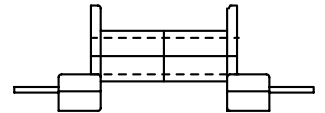
P/N
SR-SMD EFD1501



SR-SMD EFD1501-1



SR-SMD EFD1501-2



Hefei Shirui Electronic Technology Co.,Ltd

TEL:(0086) 55165232650

sales@shiruitech.com

www.shiruitech.com

SR NO.
SR-SMD EFD1501

MATERIAL:
PHENOLIC

UNIT: mm
TOLERANCE

DRN. WILL H

MODEL NAME!
EFD15-10P-1S H

UL REC: UL 94V-0

ANGLE: ±°



SCALE 1:1

0 L 4 ±0.10
4 L 16 ±0.20
16 L 64 ±0.30
PIN PITCH ±0.05

CHD. IRINA LEE

ISSD. JAMES HU